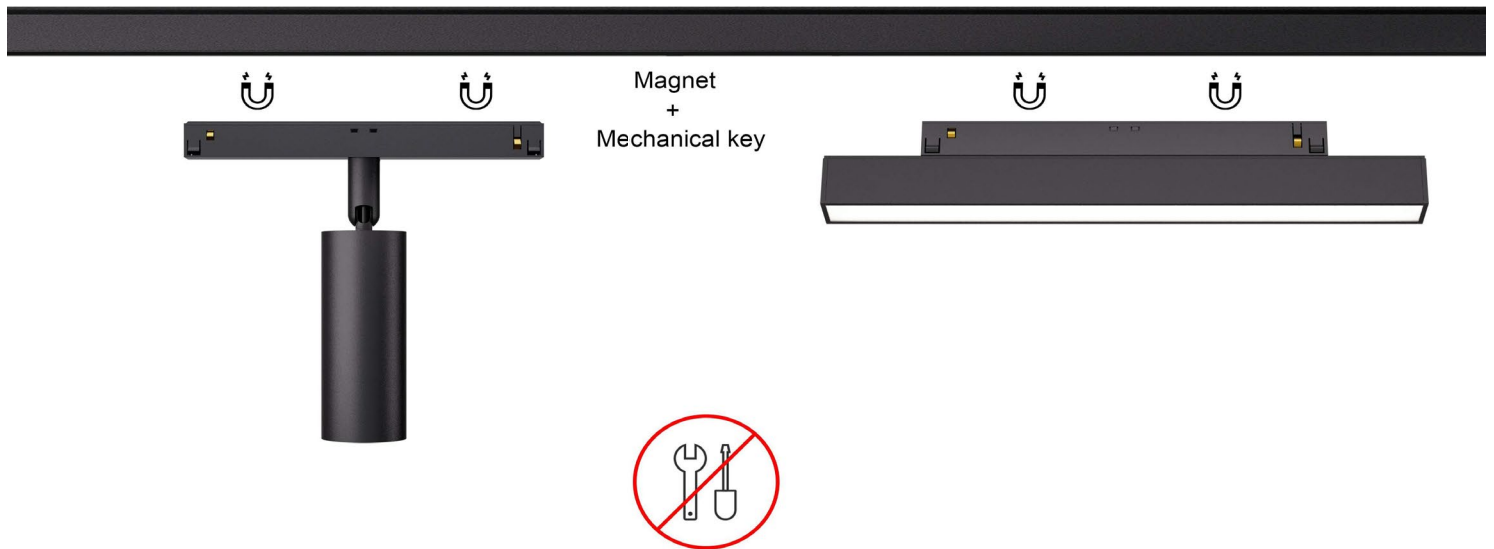
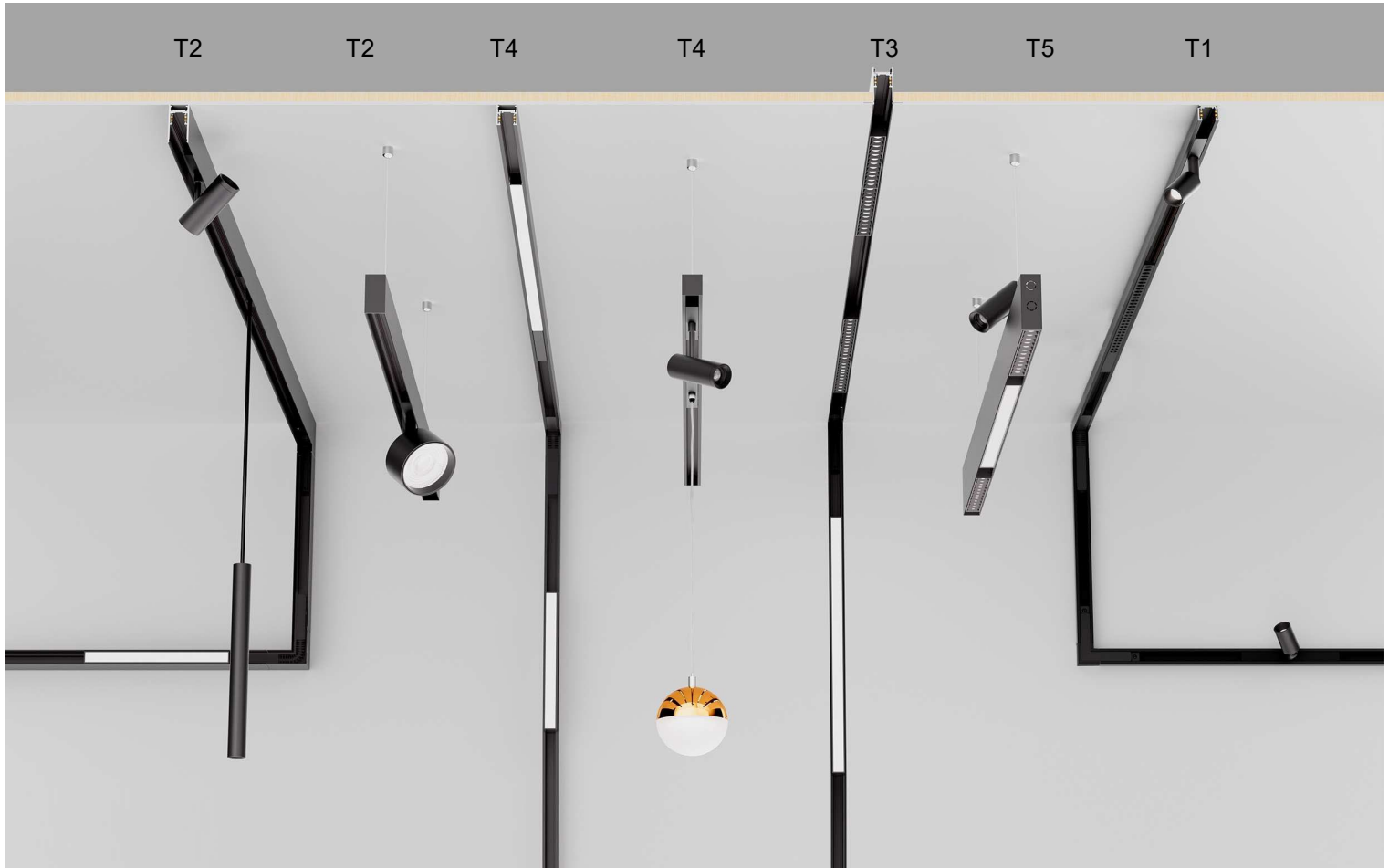


# ILUMINACIÓN DE CARRIL 48V

Carril electrificado y accesorios  
Iluminación LED para carril

Ver. 01-23



## Sistema de carril magnético de bajo voltaje a 48V

### ¿Por qué usar carril magnético de bajo voltaje?


- Los productos de bajo voltaje son de tamaño muy pequeño y tienen un aspecto minimalista.
- El carril magnético permite la orientación y el desplazamiento de las luminarias de forma fácil y sin herramientas.
- Los carriles de bajo voltaje se pueden utilizar para iluminación inteligente, facilitando el control de todo el sistema.
- Las luminarias de baja tensión se pueden utilizar en instalaciones en las que el sistema es accesible para las personas, sin comportar ningún riesgo.



# Soluciones sencillas

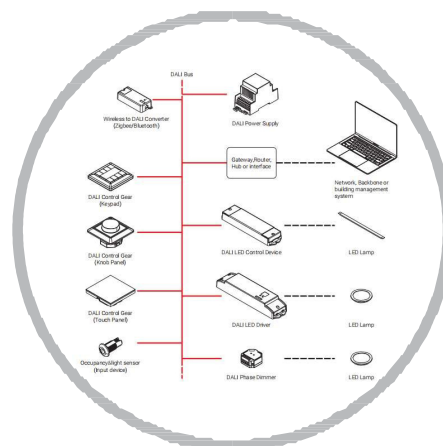

## Soluciones inteligentes

### DALI, RF, CASAMBI



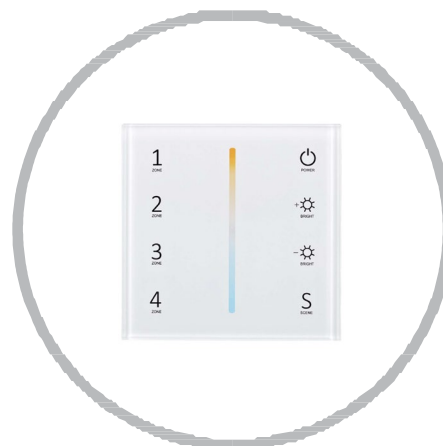

**Control DALI**

- Conexión cableada.
- Regulación de brillo de 0.1% a 100%.
- Blanco dinámico de 2700K a 5700K.

**Control remoto por RF**

- Conexión sin cables.
- Regulación de brillo de 0.1% a 100%.
- Blanco dinámico de 2700K a 5700K.

**Sistema CASAMBI**

- Conexión sin cables.
- Regulación de brillo de 1% a 100%.
- Blanco dinámico de 2700K a 5700K.





# Índice

## Serie LV26: Carriles y Accesorios



T1



T2



T3



T4



T5



HT1



HT2



HT3



HT4



VT1



VT2



VT3



VT4



ET1



ET2



ET3



ET4



ET5



PTX



ITX



LTX



CT2



PT2



DS1000 / 2000 / 3000



FUENTE DE ALIMENTACION: AC100-240V A DC48V

Serie 48V A10 A11



Ø35

Ø45

Ø55

Serie 48V A20 A21



Ø62

Ø90

Serie 48V Linear Light

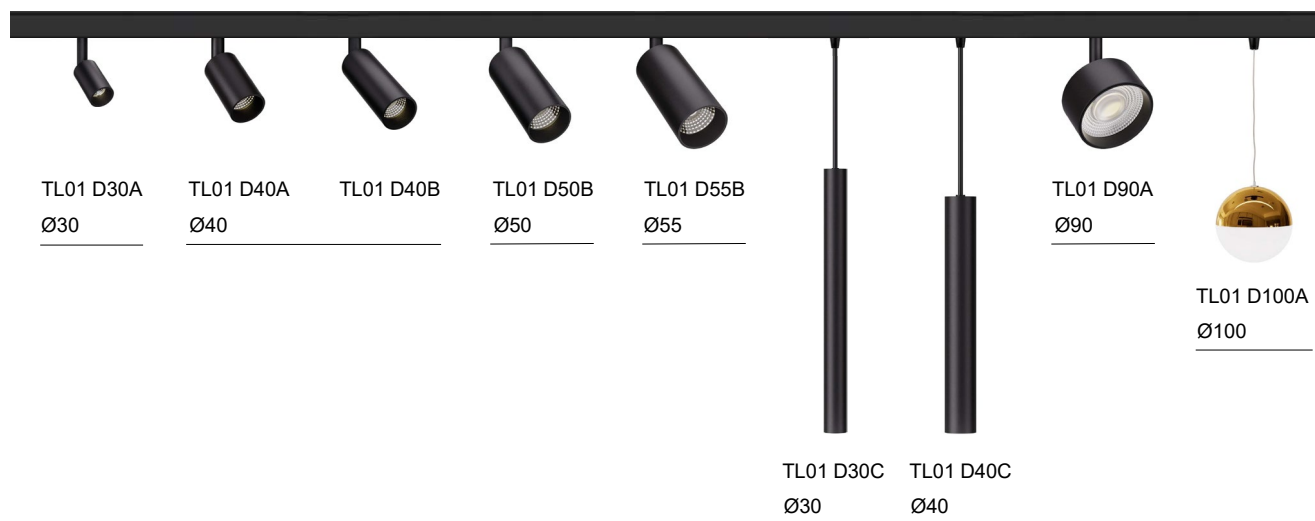


LL22

LS22

LA22

Serie 48V TL01



TL01 D30A  
Ø30

TL01 D40A  
Ø40

TL01 D40B

TL01 D50B  
Ø50

TL01 D55B  
Ø55

TL01 D30C  
Ø30

TL01 D40C  
Ø40

TL01 D90A  
Ø90

TL01 D100A  
Ø100

Control DALI, Control remoto RF, Control CASAMBI

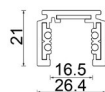


# Serie LV26

## Carril magnético a 48V



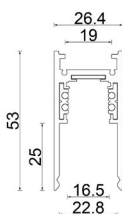
T1



Modelo	Descripción	Color
HYR-LV26T1-1000	T1 48V Mini Track 1.0 metro	Negro / Blanco
HYR-LV26T1-1500	T1 48V Mini Track 1.5 metros	Negro / Blanco
HYR-LV26T1-2000	T1 48V Mini Track 2.0 metros	Negro / Blanco
HYR-LV26T1-3000	T1 48V Mini Track 3.0 metros	Negro / Blanco



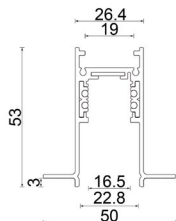
T2



Modelo	Descripción	Color
HYR-LV26T2-1000	T2 48V High Track 1.0 metro	Negro / Blanco
HYR-LV26T2-1500	T2 48V High Track 1.5 metros	Negro / Blanco
HYR-LV26T2-2000	T2 48V High Track 2.0 metros	Negro / Blanco
HYR-LV26T2-3000	T2 48V High Track 3.0 metros	Negro / Blanco



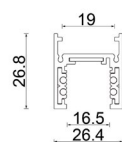
T3



Modelo	Descripción	Color
HYR-LV26T3-1000	T3 48V Trimless High Track 1.0 metro	Negro / Blanco
HYR-LV26T3-1500	T3 48V Trimless High Track 1.5 metros	Negro / Blanco
HYR-LV26T3-2000	T3 48V Trimless High Track 2.0 metros	Negro / Blanco
HYR-LV26T3-3000	T3 48V Trimless High Track 3.0 metros	Negro / Blanco



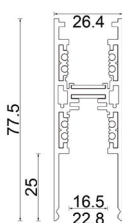
T4



Modelo	Descripción	Color
HYR-LV26T4-1000	T4 48V Standard Track 1.0 metro	Negro / Blanco
HYR-LV26T4-1500	T4 48V Standard Track 1.5 metros	Negro / Blanco
HYR-LV26T4-2000	T4 48V Standard Track 2.0 metros	Negro / Blanco
HYR-LV26T4-3000	T4 48V Standard Track 3.0 metros	Negro / Blanco



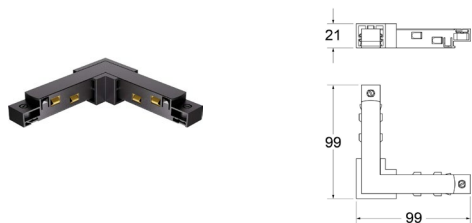
T5



Modelo	Descripción	Color
HYR-LV26T5-1000	T5 48V Up-Down Track 1.0 metro	Negro / Blanco
HYR-LV26T5-1500	T5 48V Up-Down Track 1.5 metros	Negro / Blanco
HYR-LV26T5-2000	T5 48V Up-Down Track 2.0 metros	Negro / Blanco
HYR-LV26T5-3000	T5 48V Up-Down Track 3.0 metros	Negro / Blanco

# Serie LV26

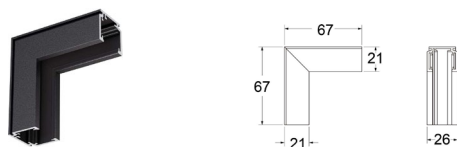
## Accesorios



**HYR-LV26AC-HT1**

HT1 - Conector de unión horizontal a 90° para carril T1

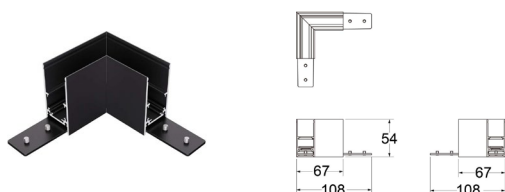
Color: Negro / Blanco



**HYR-LV26AC-VT1**

VT1 - Alojamiento de unión vertical a 90° para conector LTX y carril T1

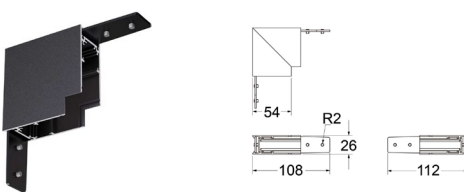
Color: Negro / Blanco



**HYR-LV26AC-HT2**

HT2 - Alojamiento de unión horizontal a 90° para conector LTX y carril T2

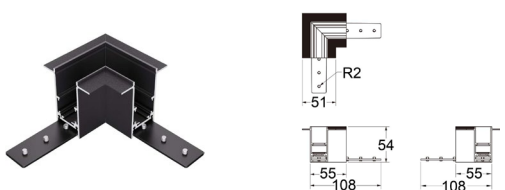
Color: Negro / Blanco



**HYR-LV26AC-VT2**

VT2 - Alojamiento de unión vertical a 90° para conector LTX y carril T2

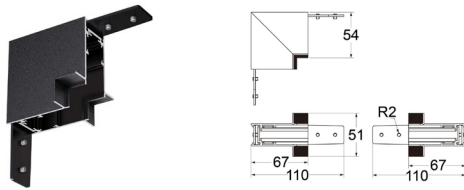
Color: Negro / Blanco



**HYR-LV26AC-HT3**

HT3 - Alojamiento de unión horizontal a 90° para conector LTX y carril T3

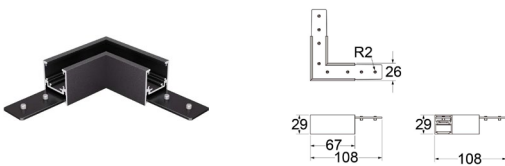
Color: Negro / Blanco



**HYR-LV26AC-VT3**

VT3 - Alojamiento de unión vertical a 90° para conector LTX y carril T3

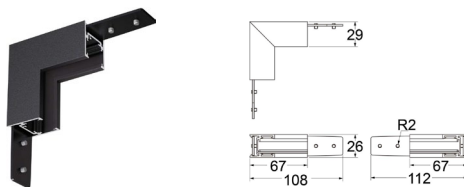
Color: Negro / Blanco



**HYR-LV26AC-HT4**

HT4 - Alojamiento de unión horizontal a 90° para conector LTX y carril T4

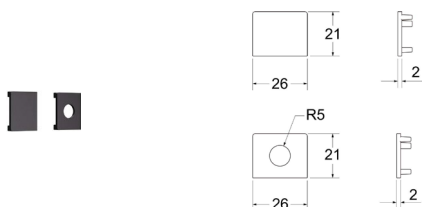
Color: Negro / Blanco



**HYR-LV26AC-VT4**

VT4 - Alojamiento de unión vertical a 90° para conector LTX y carril T4

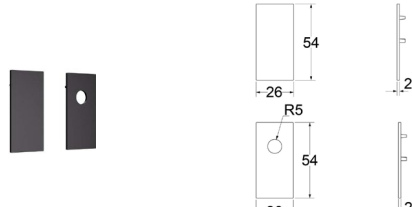
Color: Negro / Blanco



**HYR-LV26TA-ET1**

ET1 - Juego de tapas finales para carril T1

Color: Negro / Blanco



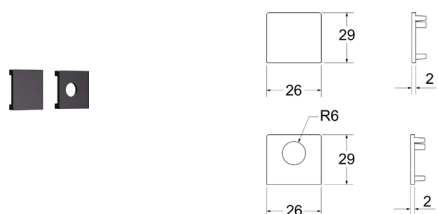
**HYR-LV26TA-ET2 (HYR-LV26TA-ET3)**

ET2 (ET3) - Juego de tapas finales para carriles T2 y T3

Color: Negro / Blanco

# Serie LV26

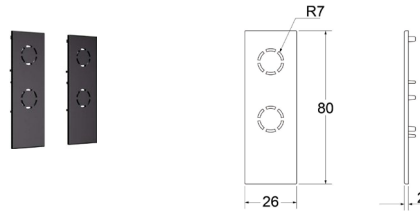
## Accesorios (cont.)



### HYR-LV26TA-ET4

ET4 - Juego de tapas finales para carril T4

Color: Negro / Blanco



### HYR-LV26TA-ET5

ET5 - Juego de tapas finales para carril T5

Color: Negro / Blanco



### HYR-LV26AC-PTX

PTX - Conector de alimentación para todos los carriles

Color: Negro / Blanco



### HYR-LV26AC-ITX

ITX - Conector de unión recto para todos los carriles

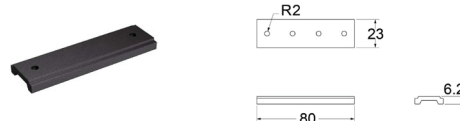
Color: Negro / Blanco



### HYR-LV26AC-LTX

LTX - Conector de alimentación flexible para todos los carriles

Color: Negro / Blanco



### HYR-LV26TA-CT2

CT2 - Pletina de unión para carriles T2, T3, T4 y T5

Color: Negro / Blanco



### HYR-LV26T2-DS1000 / 2000 / 3000

DS1000 / 2000 / 3000 - Cubierta de ocultación para carriles T2, T3 y T5

Color: Negro / Blanco



### HYR-LV26TA-PT2

PT2 - Kit de suspensión de acero de 1,5m para carriles T2, T3, T4 y T5

Color: Negro / Blanco



### Fuente de alimentación interna

100W, 150W y 230W para carriles T2, T3 y T5

200V – 240V AC a 48V DC



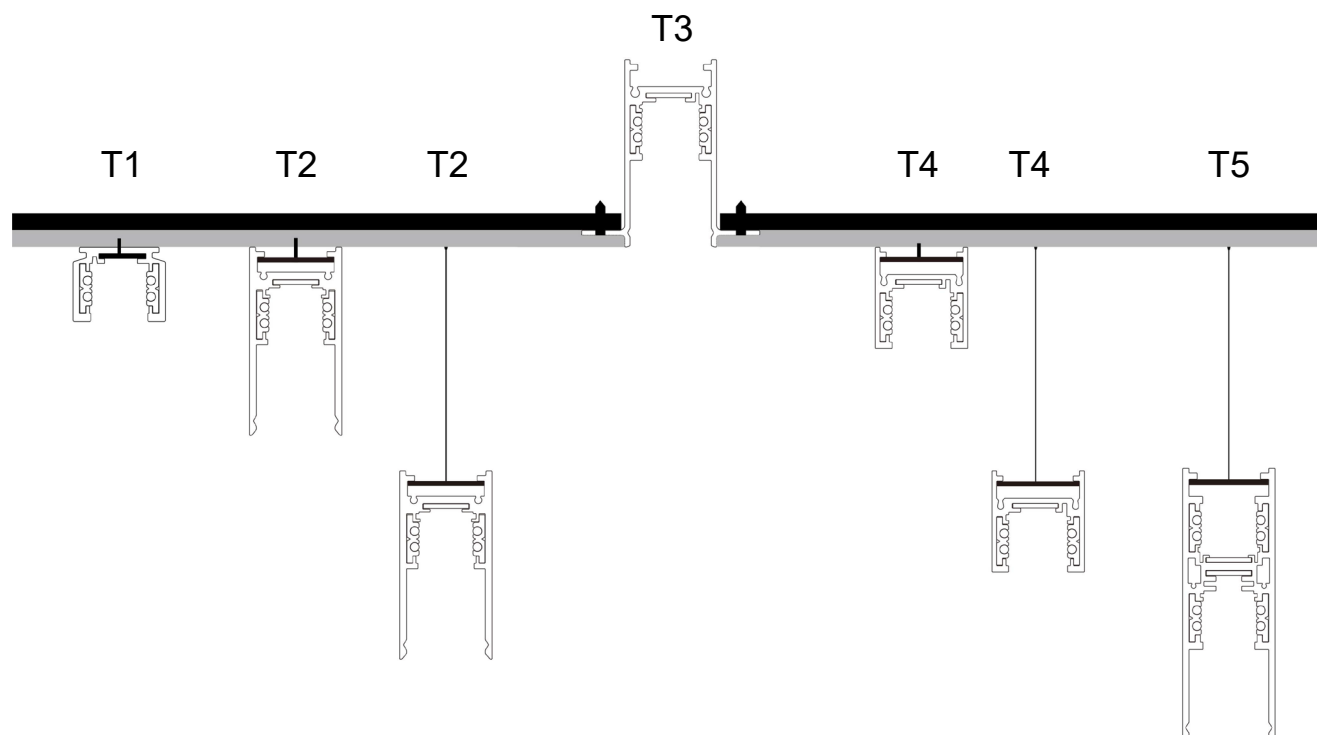
### Fuente de alimentación externa

75W a 320W

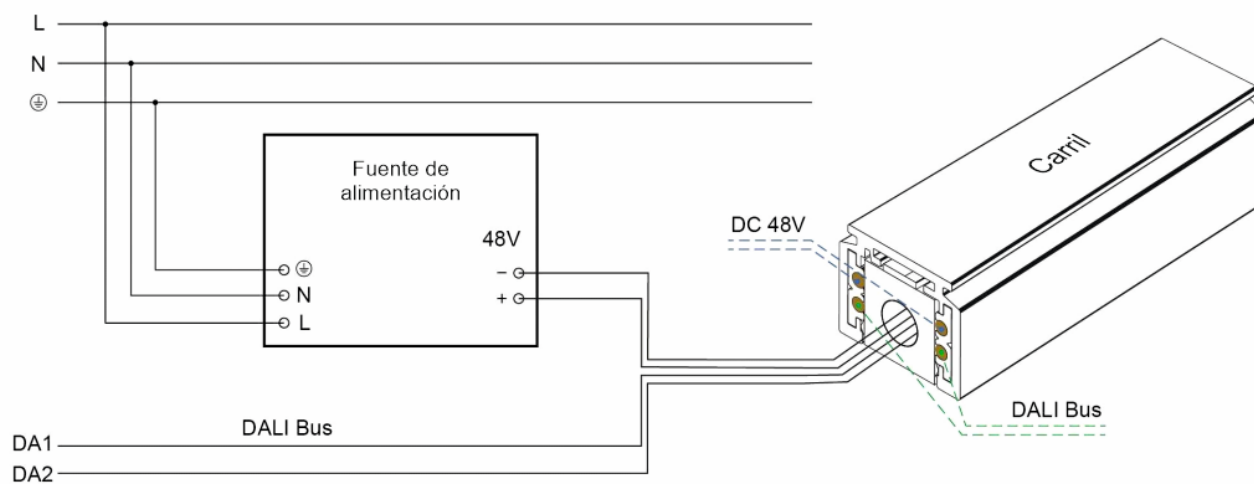
100V – 240V AC a 48V DC



# Instalación



## Diagrama de conexión



Nota: Si se utiliza control remoto RF, no es necesario conectar el bus DALI.

## Variantes en la longitud del brazo del proyector

Proyectores Serie A10 y A11

- Una única longitud, para todos los carriles:



Proyectores Serie A20 y A21

- Brazo corto, cód. "T1", para carriles T1 y T4

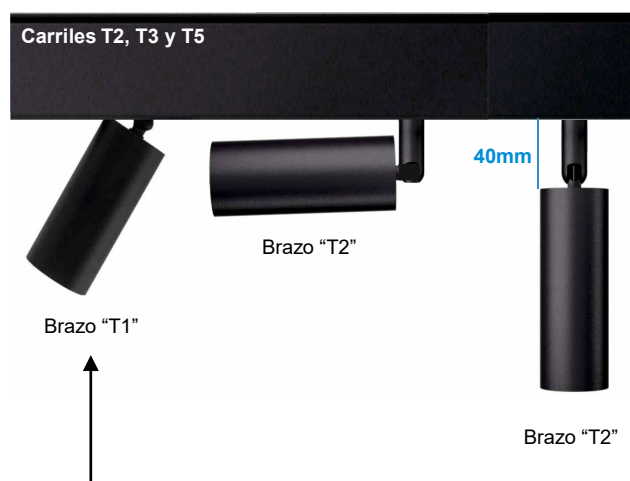
- Brazo largo, cód. "T2", para todos los carriles:



Proyectores Serie TL01

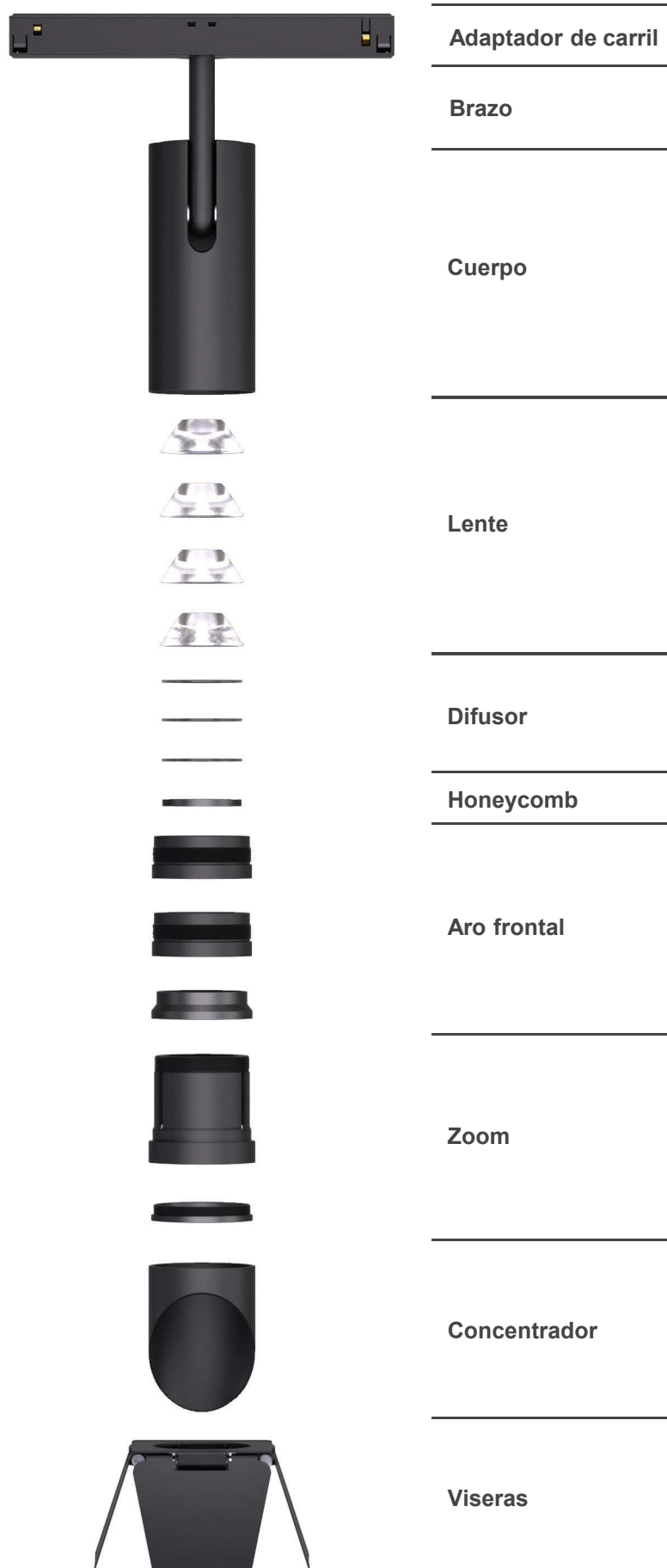
- Brazo corto, cód. "T1", para carriles T1 y T4 (\*)

- Brazo largo, cód. "T2", para todos los carriles:



(\*) El brazo corto "T1" también puede instalarse en los carriles T2, T3 y T5 únicamente de forma perpendicular al carril, pero no permite el ajuste del proyector.

## Partes del proyector



## Series A10 y A11

Óptica zoom



A1035A

Óptica fija



A1135L



A1045A



A1145L



A1055A



A1155L

## Series A10 y A11

Opciones para proyectores con óptica zoom:



Negro



Negro  
+ Difusor



Negro  
+ Honeycomb



Negro  
+ Concentrador



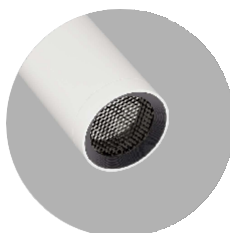
Negro  
+ Viseras



Blanco



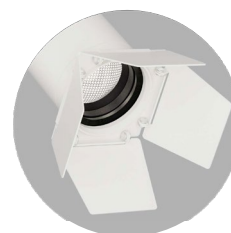
Blanco  
+ Difusor



Blanco  
+ Honeycomb



Blanco  
+ Concentrador



Blanco  
+ Viseras

Opciones para proyectores con óptica fija:



Negro



Blanco



Blanco + Aro negro



Negro + Honeycomb



Blanco + Honeycomb



Blanco + Honeycomb  
+ Aro negro

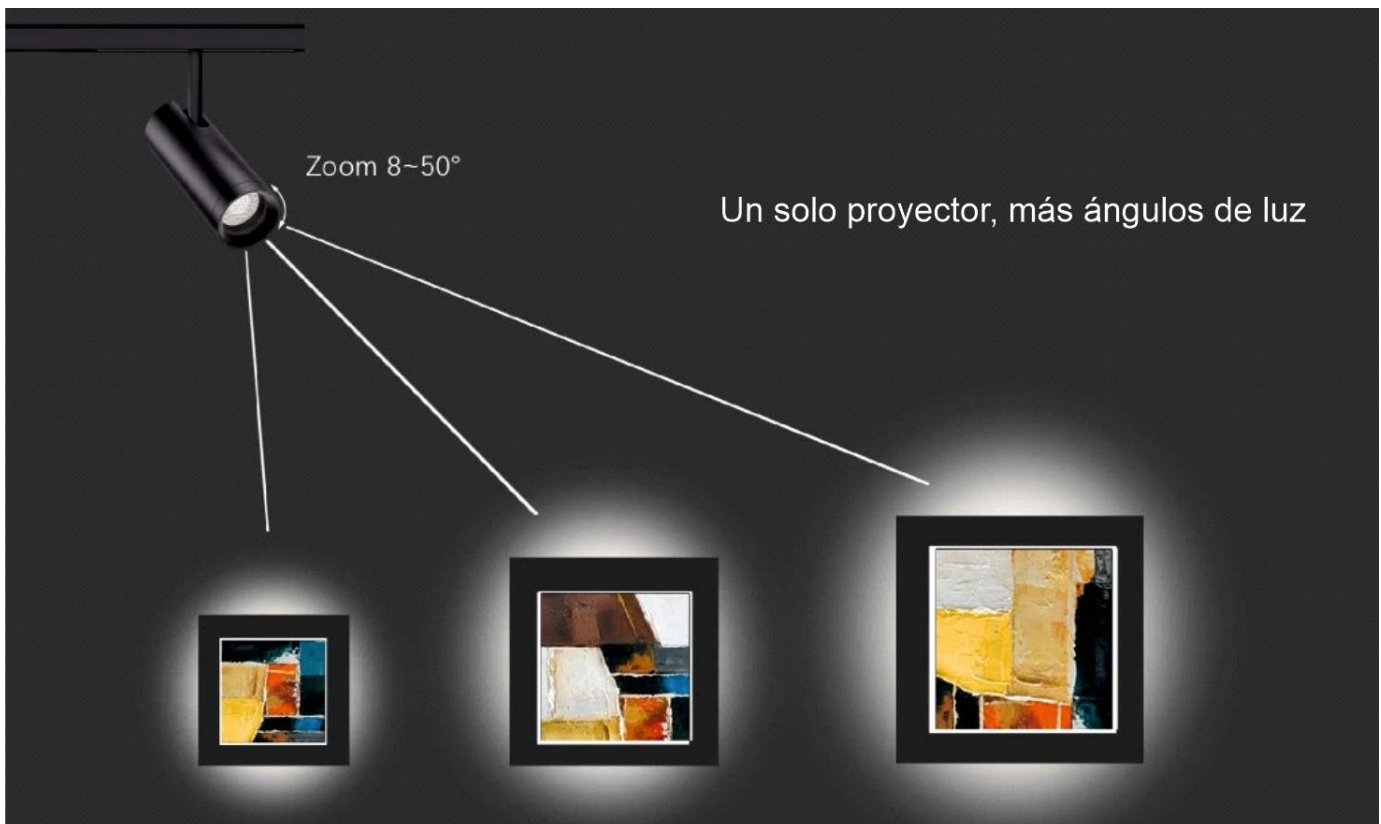


## Serie A10, óptica zoom





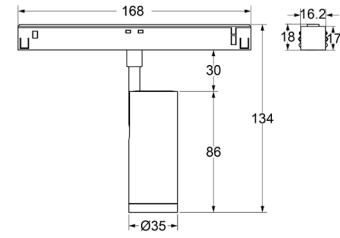
CASAMBI



## A1035A Zoom 4W



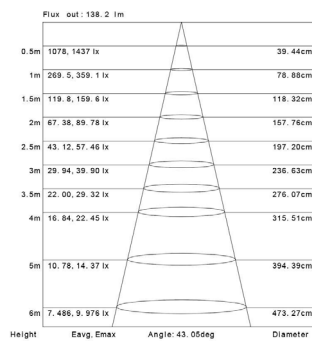
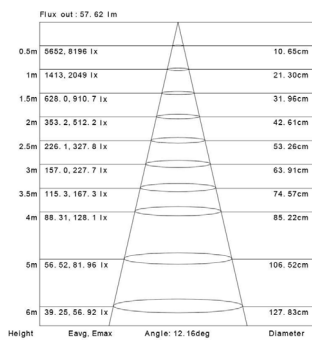
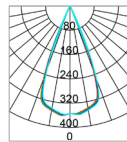
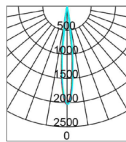
# A1035A Zoom 4W



## Light distributions

A1035A 4 W 4000K Ra90 12°

A1035A 4 W 4000K Ra90 43°



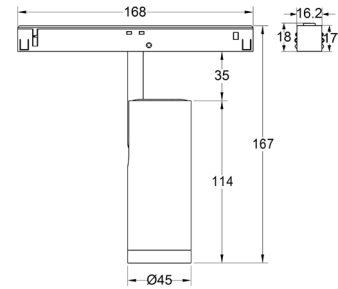
Model No.	Watt	Control	Dimension	Beam angle	Color temp.	CRI	Lumen
A1035A (LV26DAB)	4W	DALI Brightness Dim	D35*H86	12~43°	27/30/35/4000K	Ra90	160lm
A1035A (LV26DAC)	4W	DALI Tunable White	D35*H86	12~43°	2700~5700K	Ra90	130lm
A1035A (LV26RFB)	4W	RF Remote Brightness Dim	D35*H86	12~43°	27/30/35/4000K	Ra90	160lm
A1035A (LV26RFC)	4W	RF Remote Tunable White	D35*H86	12~43°	2700~5700K	Ra90	130lm

## A1045A Zoom 10W



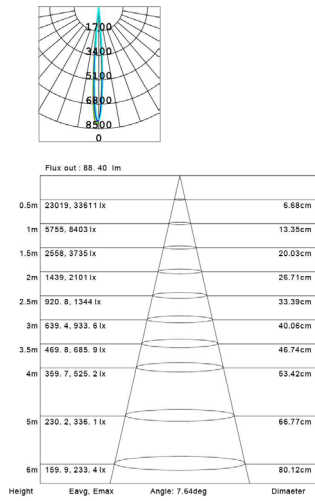


# A1045A Zoom 10W

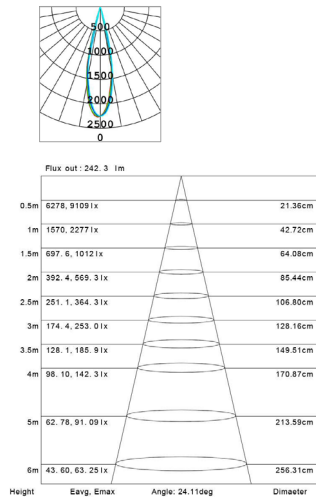


## Light distributions

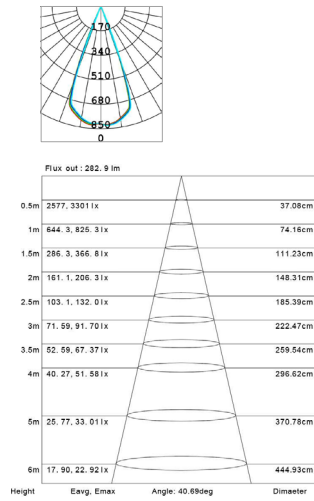
A1045A 10W 4000K Ra90 8°



A1045A 10W 4000K Ra90 24°



A1045A 10W 4000K Ra90 40°

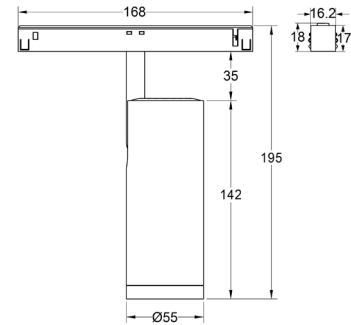


Model No.	Watt	Control	Dimension	Beam angle	Color temp.	CRI	Lumen
A1045A (LV26DAB)	10W	DALI Brightness Dim	D45*H114	8~40°	27/30/35/4000K	Ra90	350lm
A1045A (LV26DAC)	10W	DALI Tunable White	D45*H114	8~40°	2700~5700K	Ra90	280lm
A1045A (LV26RFB)	10W	RF Remote Brightness Dim	D45*H114	8~40°	27/30/35/4000K	Ra90	350lm
A1045A (LV26RFC)	10W	RF Remote Tunable White	D45*H114	8~40°	2700~5700K	Ra90	280lm

## A1055A Zoom 12W y 15W



# A1055A Zoom 12W y 15W

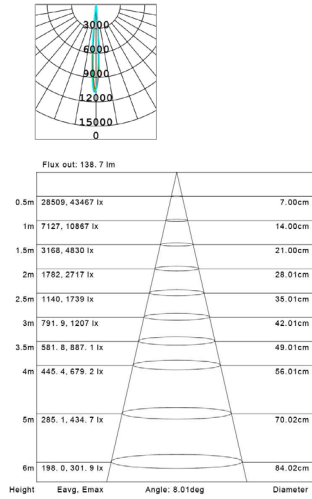


Zoom 8~50°

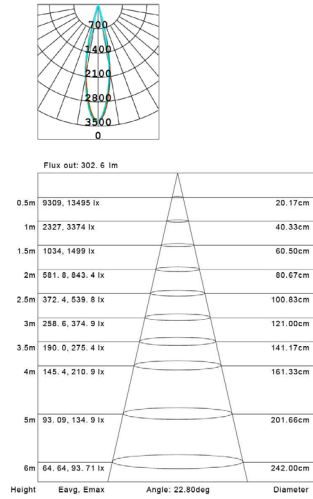


## Light distributions

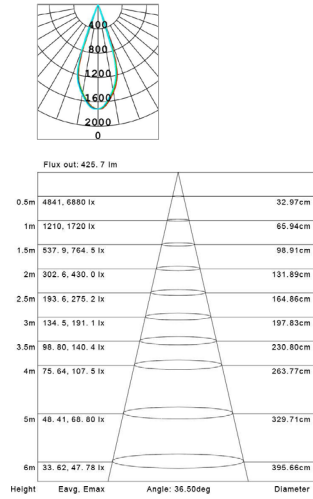
A1055A 12W 4000K Ra90 8°



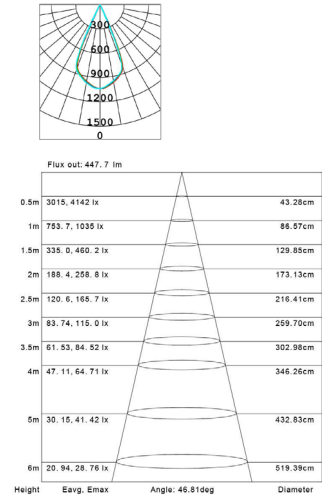
A1055A 12W 4000K Ra90 24°



A1055A 12W 4000K Ra90 38°



A1055A 12W 4000K Ra90 50°



Model No.	Watt	Control	Dimension	Beam angle	Color temp.	CRI	Lumen
A1055A (LV26DAB)	12W	DALI Brightness Dim	D55*H142	8~50°	27/30/35/4000K	Ra90	550lm
A1055A (LV26DAC)	12W	DALI Tunable White	D55*H142	8~50°	2700~5700K	Ra90	440lm
A1055A (LV26RFB)	12W	RF Remote Brightness Dim	D55*H142	8~50°	27/30/35/4000K	Ra90	550lm
A1055A (LV26RFC)	12W	RF Remote Tunable White	D55*H142	8~50°	2700~5700K	Ra90	440lm
A1055A (LV26DAB)	15W	DALI Brightness Dim	D55*H142	15~50°	27/30/35/4000K	Ra90	820lm
A1055A (LV26DAC)	15W	DALI Tunable White	D55*H142	15~50°	2700~5700K	Ra90	660lm
A1055A (LV26RFB)	15W	RF Remote Brightness Dim	D55*H142	15~50°	27/30/35/4000K	Ra90	820lm
A1055A (LV26RFC)	15W	RF Remote Tunable White	D55*H142	15~50°	2700~5700K	Ra90	660lm

## Serie A11, óptica fija





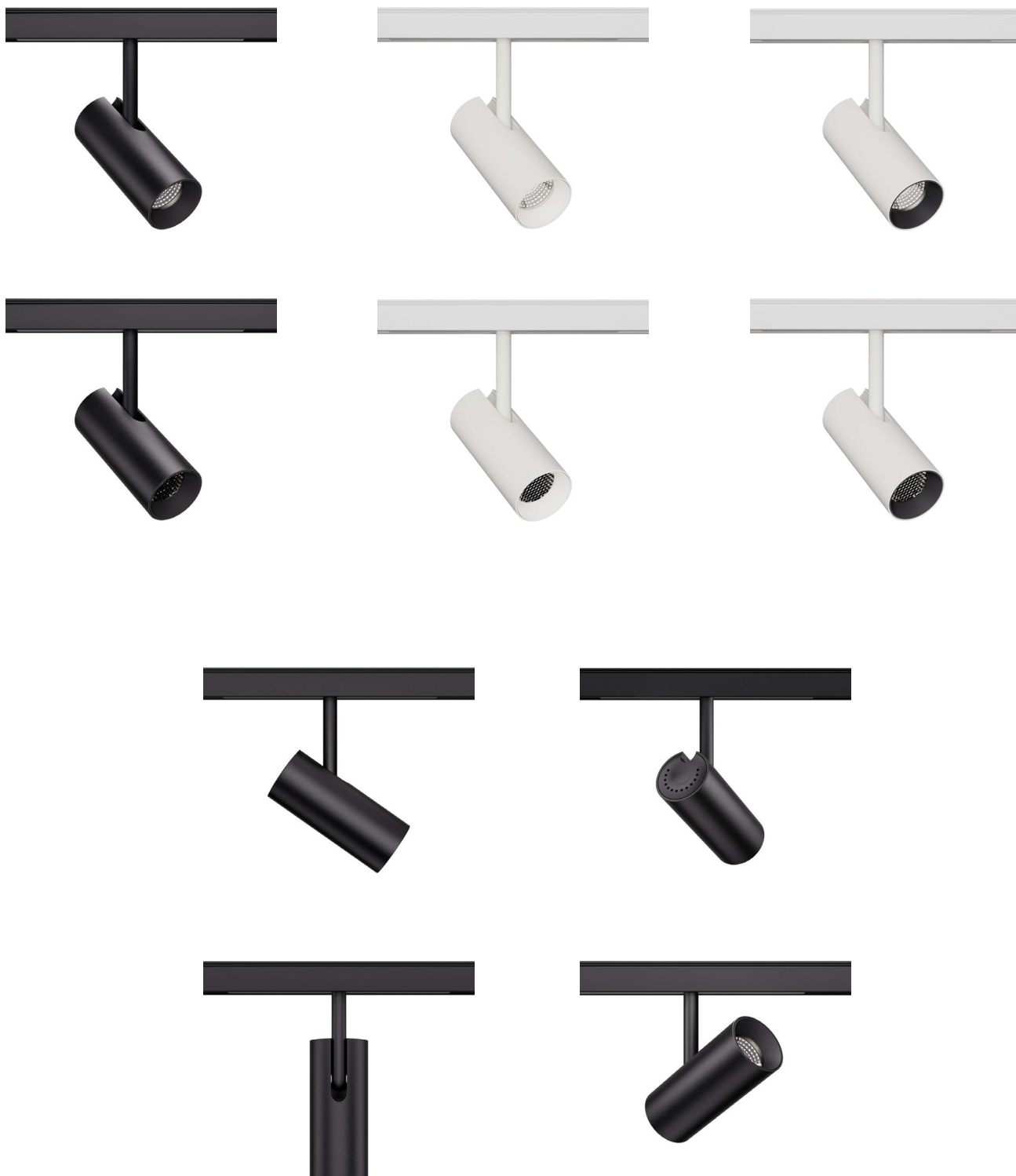


## A1135L 4W

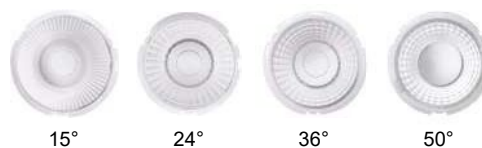
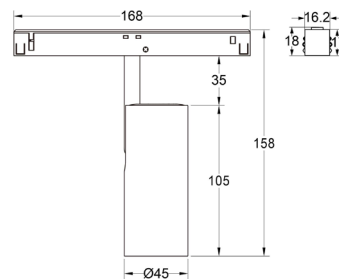




## A1145L 10W

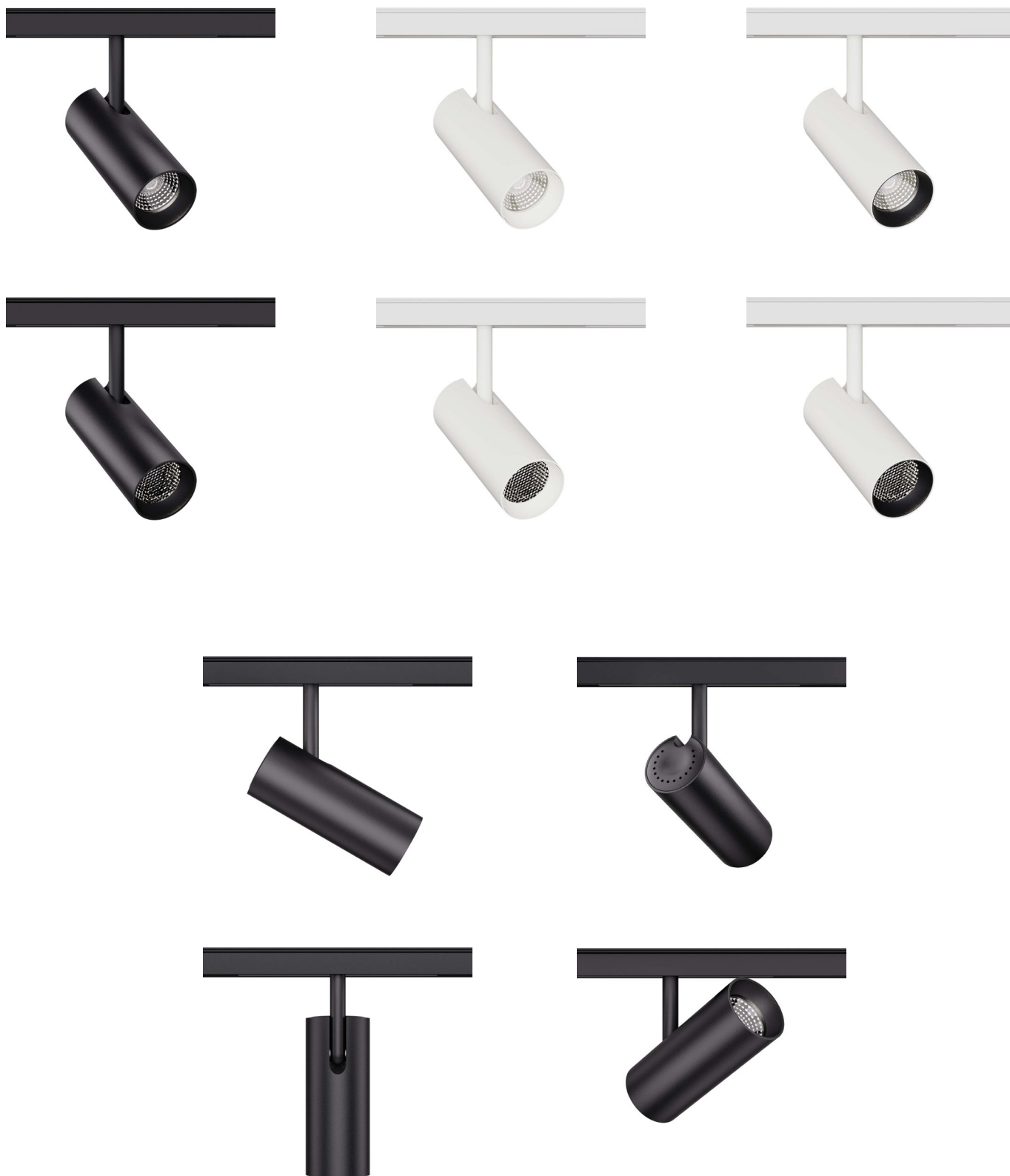


## A1145L 10W

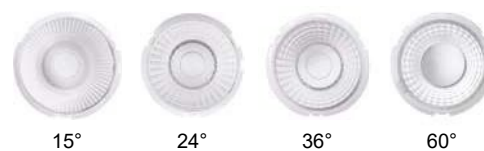
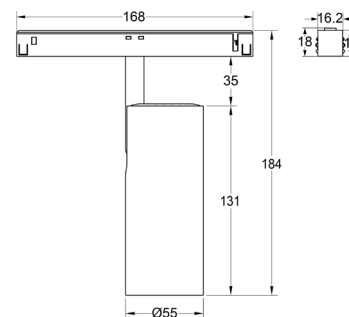


Model No.	Watt	Control	Dimension	Beam angle	Color temp.	CRI	Lumen
A1145L (LV26DAB)	10W	DALI Brightness Dim	D45*H105	15°/24°/36°/50°	27/30/35/4000K	Ra90	870lm
A1145L (LV26DAC)	10W	DALI Tunable White	D45*H105	15°/24°/36°/50°	2700~5700K	Ra90	700lm
A1145L (LV26RFB)	10W	RF Remote Brightness Dim	D45*H105	15°/24°/36°/50°	27/30/35/4000K	Ra90	870lm
A1145L (LV26RFC)	10W	RF Remote Tunable White	D45*H105	15°/24°/36°/50°	2700~5700K	Ra90	700lm

## A1155L 12W y 15W



## A1155L 12W y 15W



Model No.	Watt	Control	Dimension	Beam angle	Color temp.	CRI	Lumen
A1155L (LV26DAB)	12W	DALI Brightness Dim	D55*H131	15°/24°/36°/60°	27/30/35/4000K	Ra90	1200lm
A1155L (LV26DAC)	12W	DALI Tunable White	D55*H131	15°/24°/36°/60°	2700~5700K	Ra90	900lm
A1155L (LV26RFB)	12W	RF Remote Brightness Dim	D55*H131	15°/24°/36°/60°	27/30/35/4000K	Ra90	1200lm
A1155L (LV26RFC)	12W	RF Remote Tunable White	D55*H131	15°/24°/36°/60°	2700~5700K	Ra90	900lm
A1155L (LV26DAB)	15W	DALI Brightness Dim	D55*H131	15°/24°/36°/60°	27/30/35/4000K	Ra90	1500lm
A1155L (LV26DAC)	15W	DALI Tunable White	D55*H131	15°/24°/36°/60°	2700~5700K	Ra90	1200lm
A1155L (LV26RFB)	15W	RF Remote Brightness Dim	D55*H131	15°/24°/36°/60°	27/30/35/4000K	Ra90	1500lm
A1155L (LV26RFC)	15W	RF Remote Tunable White	D55*H131	15°/24°/36°/60°	2700~5700K	Ra90	1200lm

## Series A20 y A21

Óptica zoom



A2062A

Óptica fija



A2162L



A2190L



## Series A20 y A21

Opciones para proyectores con óptica zoom:



Negro



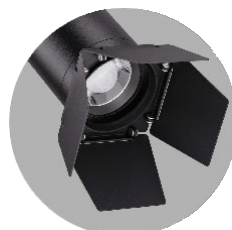
Negro  
+ Difusor



Negro  
+ Honeycomb



Negro  
+ Concentrador



Negro  
+ Viseras



Blanco



Blanco  
+ Difusor



Blanco  
+ Honeycomb



Blanco  
+ Concentrador



Blanco  
+ Viseras

Opciones para proyectores con óptica fija:



Negro



Blanco



Blanco + Aro negro



Negro + Honeycomb

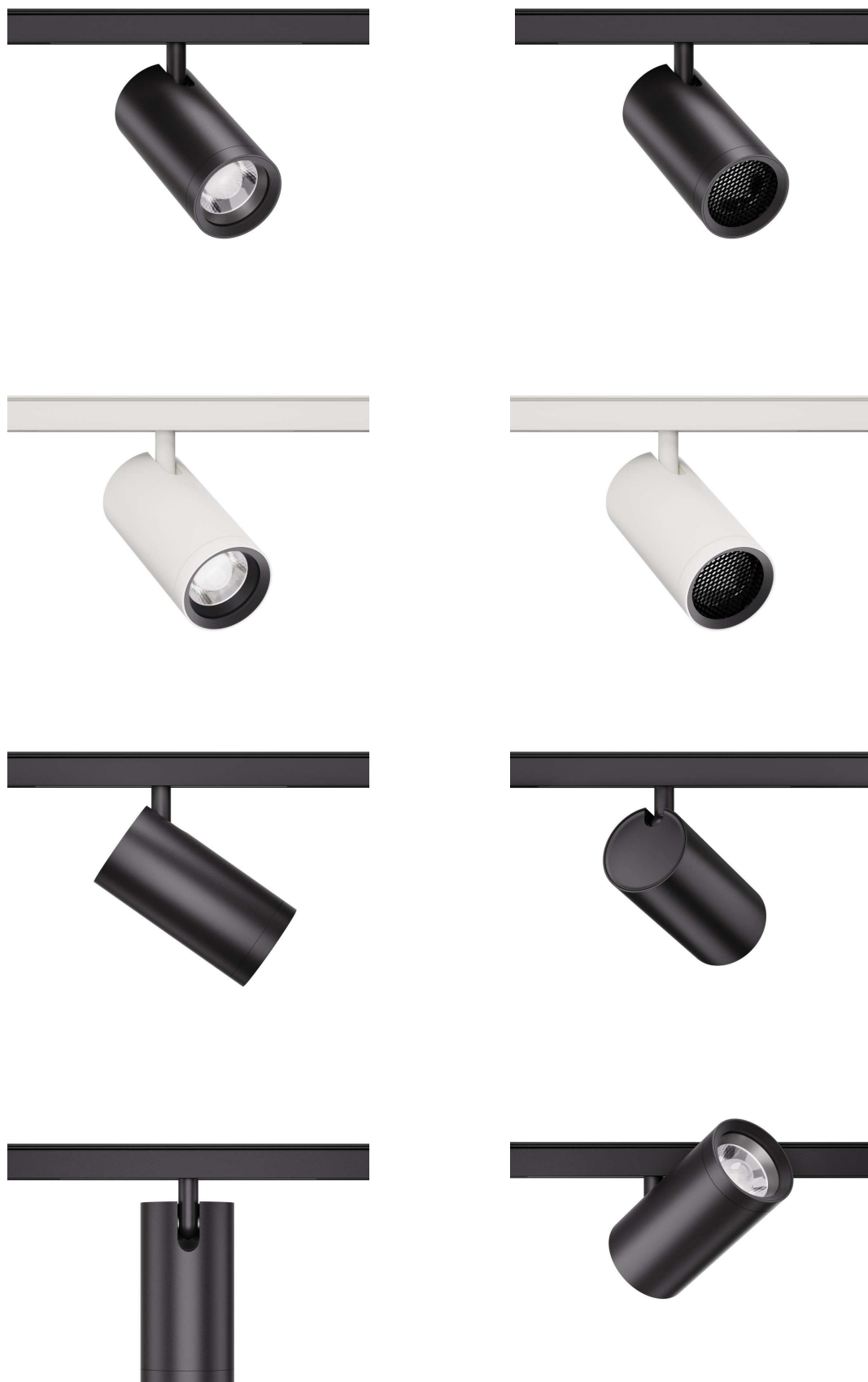


Blanco + Honeycomb



Blanco + Honeycomb  
+ Aro negro

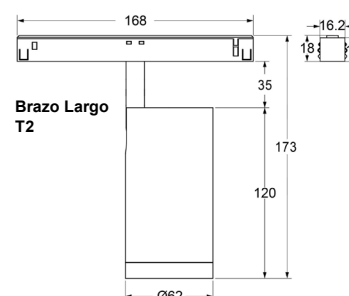
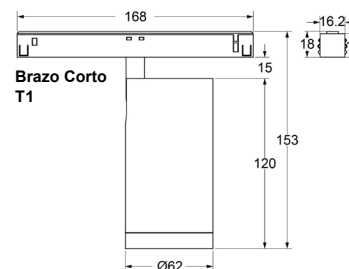
## A2062A Zoom 12W



## A2062A Zoom 12W



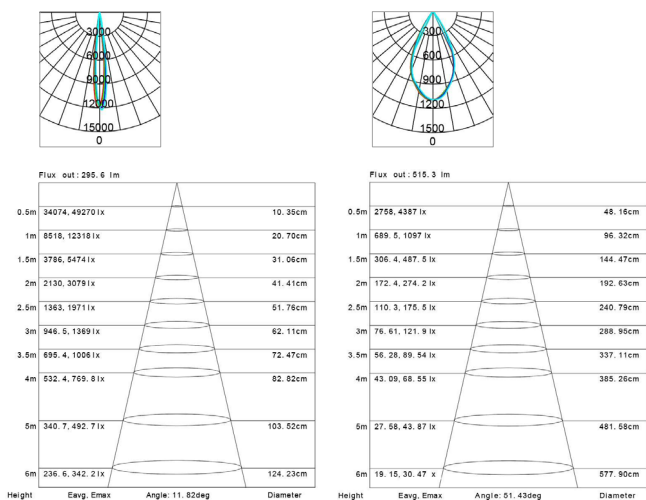
Zoom 11~50°



### Light distributions

A2062A 12W 3500K Ra90 11°

A2062A 12W 3500K Ra90 50°

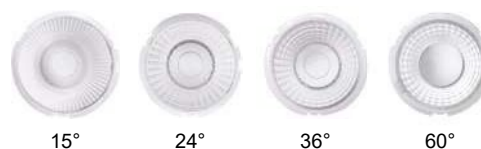
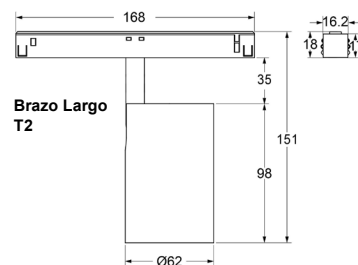
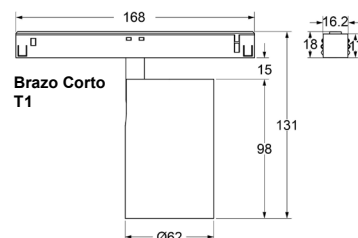


Model No.	Watt	Control	Dimension	Beam angle	Color temp.	CRI	Lumen
A2062A (LV26T1DAB)	12W	DALI Brightness Dim	D62*H120	11~50°	27/30/35/4000K	Ra90	920lm
A2062A (LV26T1DAC)	12W	DALI Tunable White	D62*H120	11~50°	2700~5700K	Ra90	700lm
A2062A (LV26T1RFB)	12W	RF Remote Brightness Dim	D62*H120	11~50°	27/30/35/4000K	Ra90	920lm
A2062A (LV26T1RFC)	12W	RF Remote Tunable White	D62*H120	11~50°	2700~5700K	Ra90	700lm
A2062A (LV26T2DAB)	12W	DALI Brightness Dim	D62*H120	11~50°	27/30/35/4000K	Ra90	920lm
A2062A (LV26T2DAC)	12W	DALI Tunable White	D62*H120	11~50°	2700~5700K	Ra90	700lm
A2062A (LV26T2RFB)	12W	RF Remote Brightness Dim	D62*H120	11~50°	27/30/35/4000K	Ra90	920lm
A2062A (LV26T2RFC)	12W	RF Remote Tunable White	D62*H120	11~50°	2700~5700K	Ra90	700lm

## A2162A 12W



## A2162A 12W

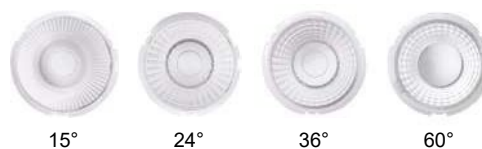
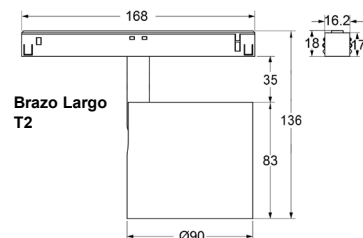


Model No.	Watt	Control	Dimension	Beam angle	Color temp.	CRI	Lumen
A2162L (LV26T1DAB)	12W	DALI Brightness Dim	D62*H98	15°/24°/36°/60°	27/30/35/4000K	Ra90	1200lm
A2162L (LV26T1DAC)	12W	DALI Tunable White	D62*H98	15°/24°/36°/60°	2700-5700K	Ra90	900lm
A2162L (LV26T1RFB)	12W	RF Remote Brightness Dim	D62*H98	15°/24°/36°/60°	27/30/35/4000K	Ra90	1200lm
A2162L (LV26T1RFC)	12W	RF Remote Tunable White	D62*H98	15°/24°/36°/60°	2700-5700K	Ra90	900lm
A2162L (LV26T2DAB)	12W	DALI Brightness Dim	D62*H98	15°/24°/36°/60°	27/30/35/4000K	Ra90	1200lm
A2162L (LV26T2DAC)	12W	DALI Tunable White	D62*H98	15°/24°/36°/60°	2700-5700K	Ra90	900lm
A2162L (LV26T2RFB)	12W	RF Remote Brightness Dim	D62*H98	15°/24°/36°/60°	27/30/35/4000K	Ra90	1200lm
A2162L (LV26T2RFC)	12W	RF Remote Tunable White	D62*H98	15°/24°/36°/60°	2700-5700K	Ra90	900lm

## A2190L 20W



## A2190L 20W



Model No.	Watt	Control	Dimension	Beam angle	Color temp.	CRI	Lumen
A2190L (LV26T1DAB)	20W	DALI Brightness Dim	D90*H83	15°/24°/36°/60°	27/30/35/4000K	Ra90	2000lm
A2190L (LV26T1DAC)	20W	DALI Tunable White	D90*H83	15°/24°/36°/60°	2700~5700K	Ra90	1600lm
A2190L (LV26T1RFB)	20W	RF Remote Brightness Dim	D90*H83	15°/24°/36°/60°	27/30/35/4000K	Ra90	2000lm
A2190L (LV26T1RFC)	20W	RF Remote Tunable White	D90*H83	15°/24°/36°/60°	2700~5700K	Ra90	1600lm
A2190L (LV26T2DAB)	20W	DALI Brightness Dim	D90*H83	15°/24°/36°/60°	27/30/35/4000K	Ra90	2000lm
A2190L (LV26T2DAC)	20W	DALI Tunable White	D90*H83	15°/24°/36°/60°	2700~5700K	Ra90	1600lm
A2190L (LV26T2RFB)	20W	RF Remote Brightness Dim	D90*H83	15°/24°/36°/60°	27/30/35/4000K	Ra90	2000lm
A2190L (LV26T2RFC)	20W	RF Remote Tunable White	D90*H83	15°/24°/36°/60°	2700~5700K	Ra90	1600lm



## Series Linear Light y Linear Spot



LL22 Linear Light



LS22 Linear Spot



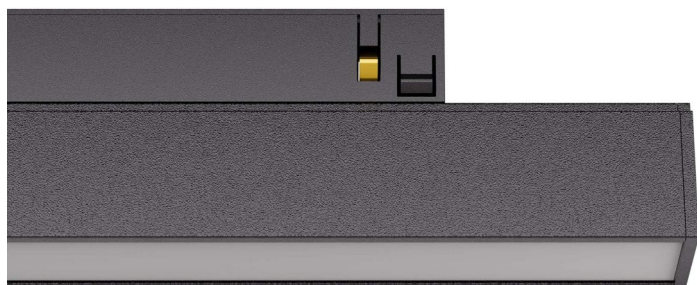
LA22 Linear Spot orientable



LM16A Mini Linear Light



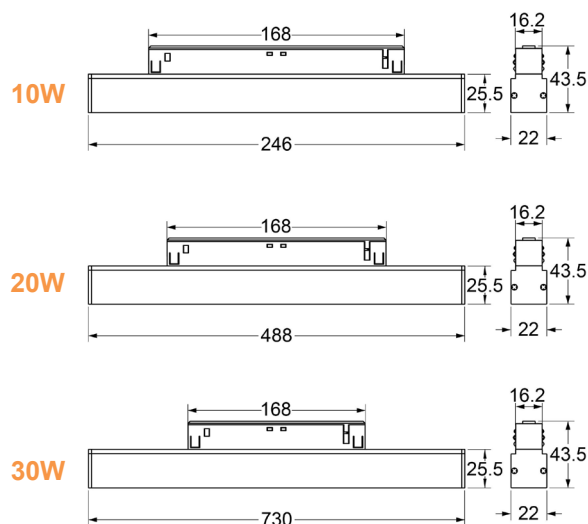
LM16B Mini Linear Light



## Linear Light LL22 48V, 10W, 20W, 30W



## Linear Light LL22

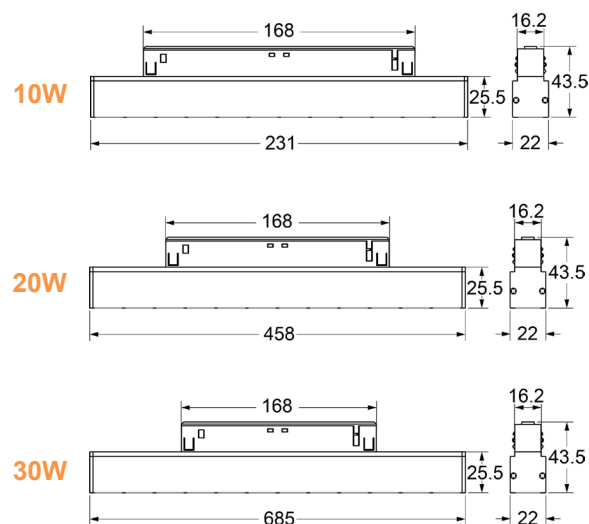


Model No.	Watt	Control	Dimension	Beam angle	Color temp.	CRI	Lumen
LL22A (LV26DAB)	10W	DALI Brightness Dim	L246*W22*H25.5	90°	27/30/40/50/5700K	Ra90	400lm
LL22A (LV26RFB)	10W	RF Remote Brightness Dim	L246*W22*H25.5	90°	27/30/40/50/5700K	Ra90	400lm
LL22B (LV26DAB)	20W	DALI Brightness Dim	L488*W22*H25.5	90°	27/30/40/50/5700K	Ra90	800lm
LL22B (LV26RFB)	20W	RF Remote Brightness Dim	L488*W22*H25.5	90°	27/30/40/50/5700K	Ra90	800lm
LL22C (LV26DAB)	30W	DALI Brightness Dim	L730*W22*H25.5	90°	27/30/40/50/5700K	Ra90	1100lm
LL22C (LV26RFB)	30W	RF Remote Brightness Dim	L730*W22*H25.5	90°	27/30/40/50/5700K	Ra90	1100lm

## Linear Spot LS22 48V, 10W, 20W, 30W



## Linear Spot LS22



Model No.	Watt	Control	Dimension	Beam angle	Color temp.	CRI	Lumen
LS22A (LV26DAB)	10W	DALI Brightness Dim	L231*W22*H25.5	30°	2700/3000/4000K	Ra90	500lm
LS22A (LV26RFB)	10W	RF Remote Brightness Dim	L231*W22*H25.5	30°	2700/3000/4000K	Ra90	500lm
LS22B (LV26DAB)	20W	DALI Brightness Dim	L458*W22*H25.5	30°	2700/3000/4000K	Ra90	1000lm
LS22B (LV26RFB)	20W	RF Remote Brightness Dim	L458*W22*H25.5	30°	2700/3000/4000K	Ra90	1000lm
LS22C (LV26DAB)	30W	DALI Brightness Dim	L685*W22*H25.5	30°	2700/3000/4000K	Ra90	1400lm
LS22C (LV26RFB)	30W	RF Remote Brightness Dim	L685*W22*H25.5	30°	2700/3000/4000K	Ra90	1400lm

## Adjustable Spot LA22 48V, 6W

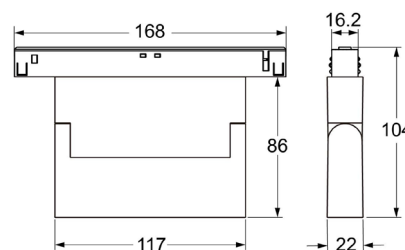




## Adjustable Spot LA22A

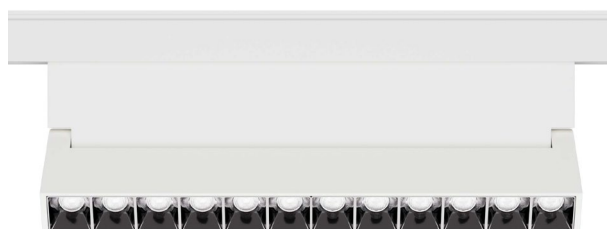


6 LEDs



Model No.	Watt	Control	Dimension	Beam angle	Color temp.	CRI	Lumen
LA22A (LV26DAB)	6W	DALI Brightness Dim	L117*W22*H86	20°/32°/50°	2700/3000/4000K	Ra90	500lm
LA22A (LV26RFB)	6W	RF Remote Brightness Dim	L117*W22*H86	20°/32°/50°	2700/3000/4000K	Ra90	500lm

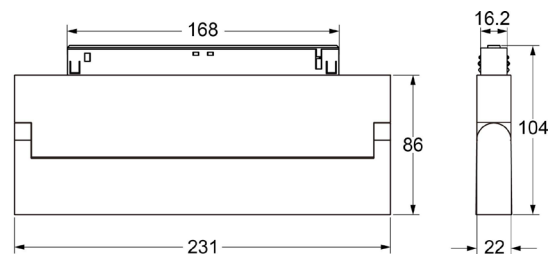
## Adjustable Spot LA22 48V, 12W



## Adjustable Spot LA22B



12 LEDs



Model No.	Watt	Control	Dimension	Beam angle	Color temp.	CRI	Lumen
LA22B (LV26DAB)	12W	DALI Brightness Dim	L231*W22*H86	20°/32°/50°	2700/3000/4000K	Ra90	1000lm
LA22B (LV26RFB)	12W	RF Remote Brightness Dim	L231*W22*H86	20°/32°/50°	2700/3000/4000K	Ra90	1000lm

## Mini Linear Light LM16A 48V, 6W, 12W



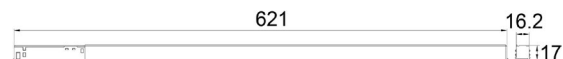
## Mini Linear Light LA22A



Model No.	Watt	Control	Dimension	Beam angle	Color temp.	CRI	Lumen
LM16A (LV26ONF)	6W	No-Dim	L625*W16.2*H17	90°	27/30/40/50/5700K	Ra90	280lm
LM16A (LV26ONF)	12W	No-Dim	L625*W16.2*H17	90°	27/30/40/50/5700K	Ra90	500lm

## Mini Linear Light LM16B 48V, 6W, 12W





Model No.	Watt	Control	Dimension	Beam angle	Color temp.	CRI	Lumen
LM16B (LV26ONF)	6W	No-Dim	L621*W16.2*H17	35°	2700/3000/4000K	Ra90	320lm
LM16B (LV26ONF)	12W	No-Dim	L621*W16.2*H17	35°	2700/3000/4000K	Ra90	600lm



## Serie TL01

TL01 D30A



TL01 D40A



TL01 D40B



TL01 D50B



TL01 D55B



TL01 D30C



TL01 D40C



TL01 D90A



TL01 D100A



## Serie TL01



Negro



Negro + Aro dorado



Negro  
+ Honeycomb



Negro + Aro dorado +  
Honeycomb



Blanco



Blanco + Aro negro



Blanco + Aro dorado



Blanco + Honeycomb



Blanco + Aro negro  
+ Honeycomb



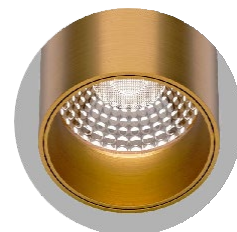
Blanco + Aro dorado  
+ Honeycomb



Cromado  
espejo



Níquel  
cepillado

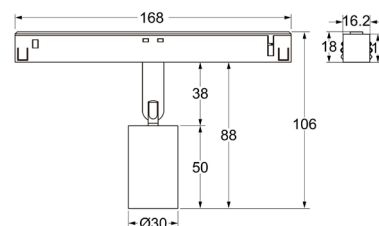


Bronce  
cepillado

## TL01 D30A 48V, 4W



## TL01 D30A 48V, 4W

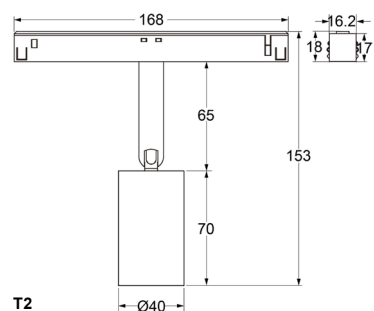
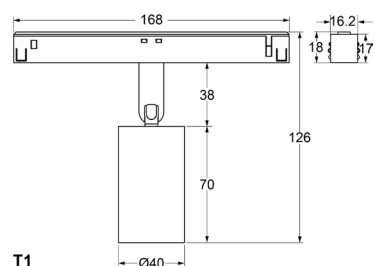


Model No.	Watt	Control	Dimension	Beam angle	Color temp.	CRI	Lumen
TL0130A (LV26T1DAB)	4W	DALI Brightness Dim	D30*H50	15°/24°/36°/50°	27/30/35/4000K	Ra90	360lm
TL0130A (LV26T1DAC)	4W	DALI Tunable White	D30*H50	15°/24°/36°/50°	2700~5700K	Ra90	300lm
TL0130A (LV26T1RFB)	4W	RF Remote Brightness Dim	D30*H50	15°/24°/36°/50°	27/30/35/4000K	Ra90	360lm
TL0130A (LV26T1RFC)	4W	RF Remote Tunable White	D30*H50	15°/24°/36°/50°	2700~5700K	Ra90	300lm

## TL01 D40A 48V, 6W



## TL01 D40A 48V, 6W



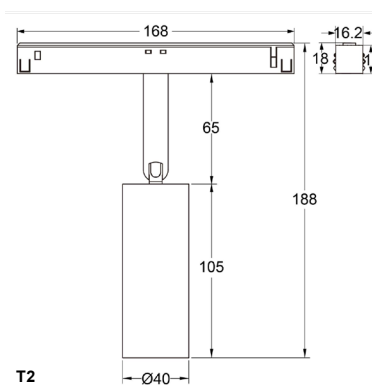
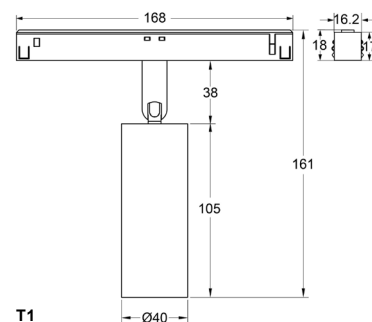
Model No.	Watt	Control	Dimension	Beam angle	Color temp.	CRI	Lumen
TL0140A (LV26T1DAB)	6W	DALI Brightness Dim	D40*H70	15°/24°/36°/50°	27/30/35/4000K	Ra90	520lm
TL0140A (LV26T1DAC)	6W	DALI Tunable White	D40*H70	15°/24°/36°/50°	2700~5700K	Ra90	420lm
TL0140A (LV26T1RFB)	6W	RF Remote Brightness Dim	D40*H70	15°/24°/36°/50°	27/30/35/4000K	Ra90	520lm
TL0140A (LV26T1RFC)	6W	RF Remote Tunable White	D40*H70	15°/24°/36°/50°	2700~5700K	Ra90	420lm
TL0140A (LV26T2DAB)	6W	DALI Brightness Dim	D40*H70	15°/24°/36°/50°	27/30/35/4000K	Ra90	520lm
TL0140A (LV26T2DAC)	6W	DALI Tunable White	D40*H70	15°/24°/36°/50°	2700~5700K	Ra90	420lm
TL0140A (LV26T2RFB)	6W	RF Remote Brightness Dim	D40*H70	15°/24°/36°/50°	27/30/35/4000K	Ra90	520lm
TL0140A (LV26T2RFC)	6W	RF Remote Tunable White	D40*H70	15°/24°/36°/50°	2700~5700K	Ra90	420lm

## TL01 D40B 48V, 10W



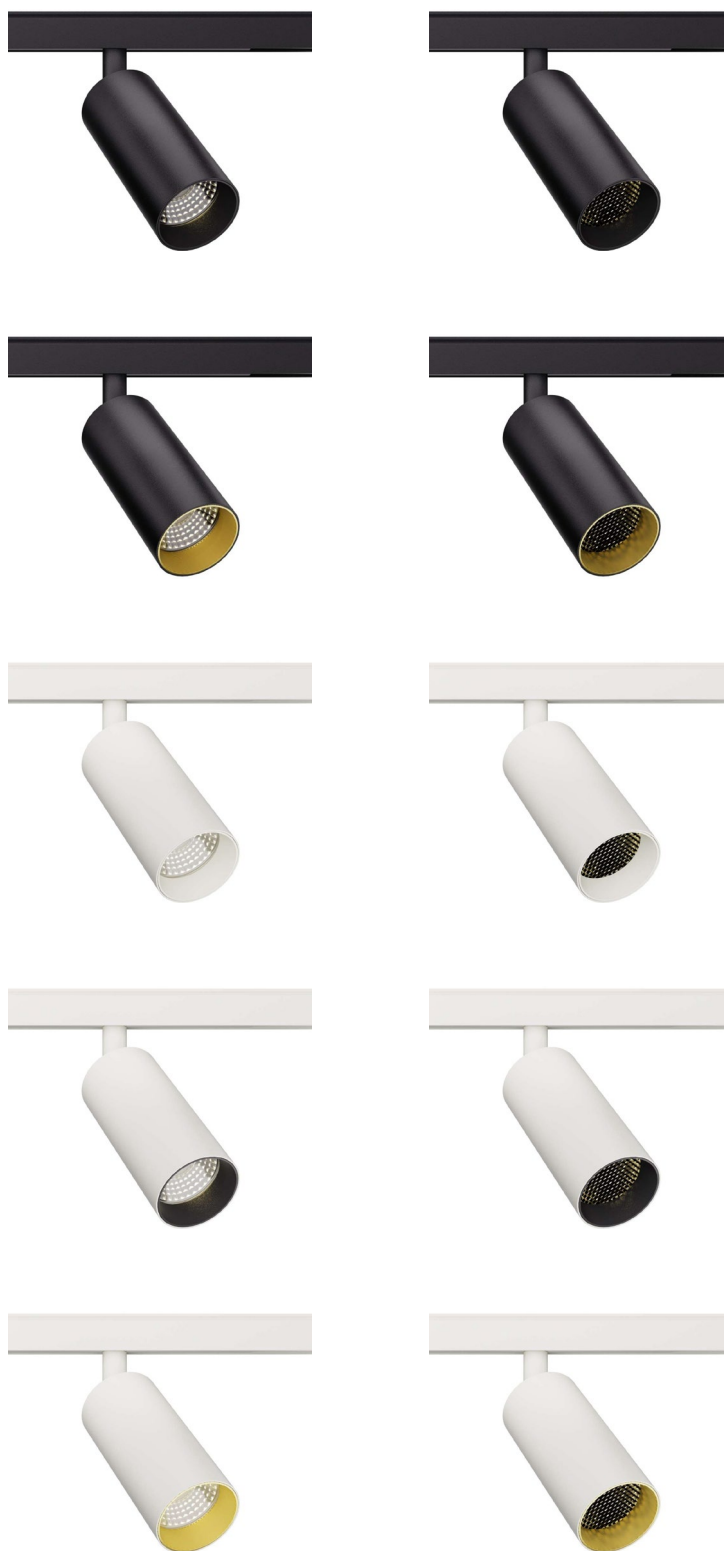


## TL01 D40B 48V, 10W

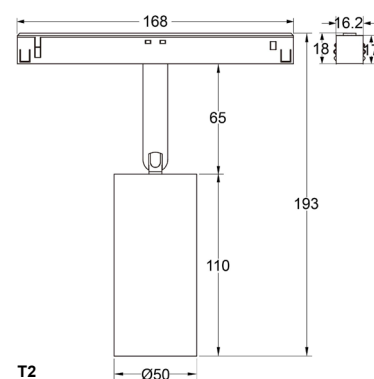
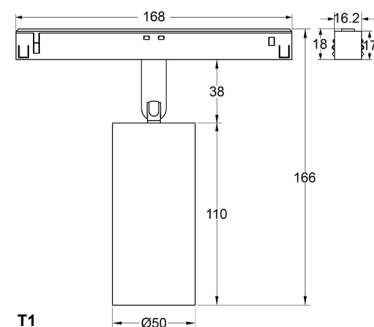


Model No.	Watt	Control	Dimension	Beam angle	Color temp.	CRI	Lumen
TL0140B (LV26T1DAB)	10W	DALI Brightness Dim	D40*H105	15°/24°/36°/50°	27/30/35/4000K	Ra90	780lm
TL0140B (LV26T1DAC)	10W	DALI Tunable White	D40*H105	15°/24°/36°/50°	2700~5700K	Ra90	700lm
TL0140B (LV26T1RFB)	10W	RF Remote Brightness Dim	D40*H105	15°/24°/36°/50°	27/30/35/4000K	Ra90	780lm
TL0140B (LV26T1RFC)	10W	RF Remote Tunable White	D40*H105	15°/24°/36°/50°	2700~5700K	Ra90	700lm
TL0140B (LV26T2DAB)	10W	DALI Brightness Dim	D40*H105	15°/24°/36°/50°	27/30/35/4000K	Ra90	780lm
TL0140B (LV26T2DAC)	10W	DALI Tunable White	D40*H105	15°/24°/36°/50°	2700~5700K	Ra90	700lm
TL0140B (LV26T2RFB)	10W	RF Remote Brightness Dim	D40*H105	15°/24°/36°/50°	27/30/35/4000K	Ra90	780lm
TL0140B (LV26T2RFC)	10W	RF Remote Tunable White	D40*H105	15°/24°/36°/50°	2700~5700K	Ra90	700lm

## TL01 D50B 48V, 12W

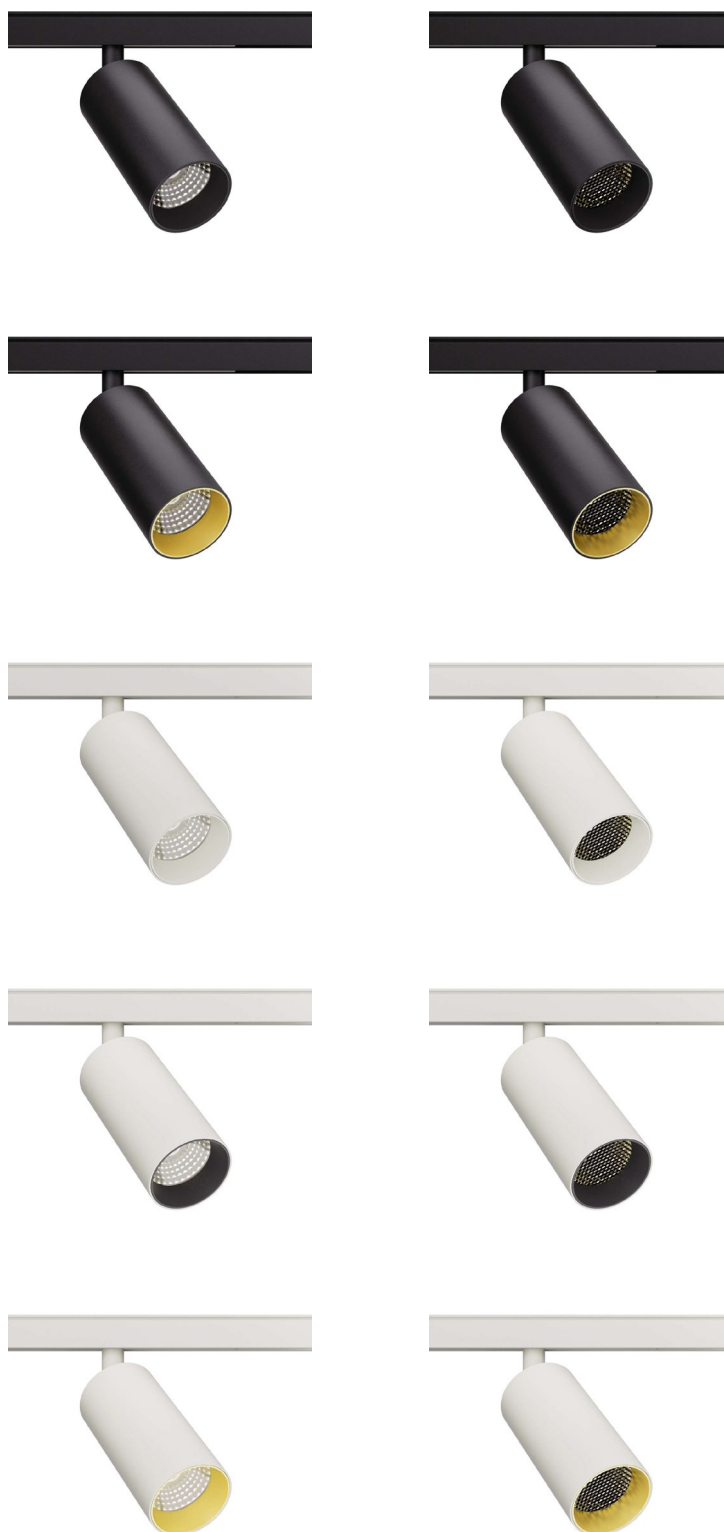


## TL01 D50B 48V, 12W

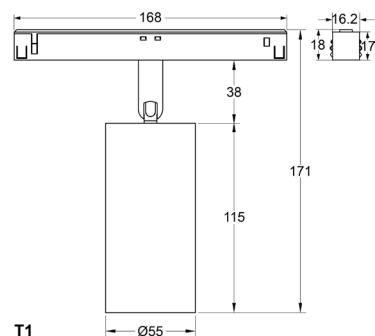


Model No.	Watt	Control	Dimension	Beam angle	Color temp.	CRI	Lumen
TL0150B (LV26T1DAB)	12W	DALI Brightness Dim	D50*H110	15°/24°/36°/50°	27/30/35/4000K	Ra90	1000lm
TL0150B (LV26T1DAC)	12W	DALI Tunable White	D50*H110	15°/24°/36°/50°	2700~5700K	Ra90	850lm
TL0150B (LV26T1RFB)	12W	RF Remote Brightness Dim	D50*H110	15°/24°/36°/50°	27/30/35/4000K	Ra90	1000lm
TL0150B (LV26T1RFC)	12W	RF Remote Tunable White	D50*H110	15°/24°/36°/50°	2700~5700K	Ra90	850lm
TL0150B (LV26T2DAB)	12W	DALI Brightness Dim	D50*H110	15°/24°/36°/50°	27/30/35/4000K	Ra90	1000lm
TL0150B (LV26T2DAC)	12W	DALI Tunable White	D50*H110	15°/24°/36°/50°	2700~5700K	Ra90	850lm
TL0150B (LV26T2RFB)	12W	RF Remote Brightness Dim	D50*H110	15°/24°/36°/50°	27/30/35/4000K	Ra90	1000lm
TL0150B (LV26T2RFC)	12W	RF Remote Tunable White	D50*H110	15°/24°/36°/50°	2700~5700K	Ra90	850lm

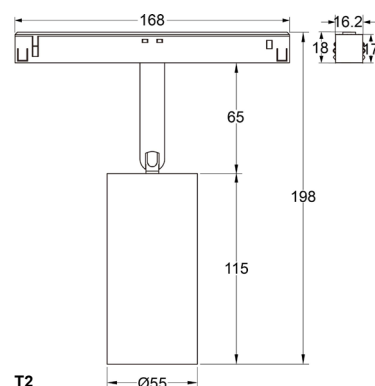
## TL01 D55B 48V, 15W



## TL01 D55B 48V, 15W



T1



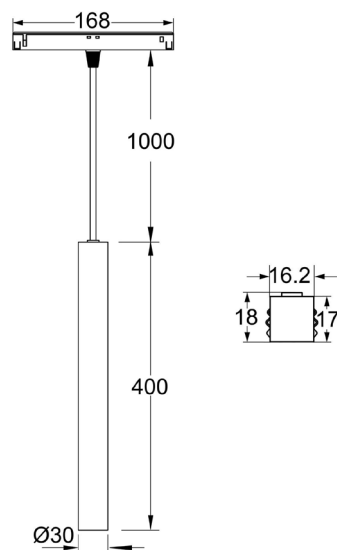
T2

Model No.	Watt	Control	Dimension	Beam angle	Color temp.	CRI	Lumen
TL0155B (LV26T1DAB)	15W	DALI Brightness Dim	D55*H115	15°/24°/36°/50°	27/30/35/4000K	Ra90	1200lm
TL0155B (LV26T1DAC)	15W	DALI Tunable White	D55*H115	15°/24°/36°/50°	2700~5700K	Ra90	1050lm
TL0155B (LV26T1RFB)	15W	RF Remote Brightness Dim	D55*H115	15°/24°/36°/50°	27/30/35/4000K	Ra90	1200lm
TL0155B (LV26T1RFC)	15W	RF Remote Tunable White	D55*H115	15°/24°/36°/50°	2700~5700K	Ra90	1050lm
TL0155B (LV26T2DAB)	15W	DALI Brightness Dim	D55*H115	15°/24°/36°/50°	27/30/35/4000K	Ra90	1200lm
TL0155B (LV26T2DAC)	15W	DALI Tunable White	D55*H115	15°/24°/36°/50°	2700~5700K	Ra90	1050lm
TL0155B (LV26T2RFB)	15W	RF Remote Brightness Dim	D55*H115	15°/24°/36°/50°	27/30/35/4000K	Ra90	1200lm
TL0155B (LV26T2RFC)	15W	RF Remote Tunable White	D55*H115	15°/24°/36°/50°	2700~5700K	Ra90	1050lm

## TL01 D30C 48V, 6W



# TL01 D30C 48V, 6W



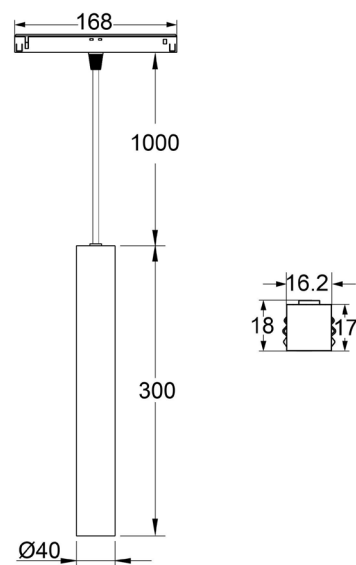
Model No.	Watt	Control	Dimension	Beam angle	Color temp.	CRI	Lumen
TL0130C (LV26DAB)	6W	DALI Brightness Dim	D30*H400	15°/24°/36°/50°	27/30/35/4000K	Ra90	520lm
TL0130C (LV26DAC)	6W	DALI Tunable White	D30*H400	15°/24°/36°/50°	2700~5700K	Ra90	420lm
TL0130C (LV26RFB)	6W	RF Remote Brightness Dim	D30*H400	15°/24°/36°/50°	27/30/35/4000K	Ra90	520lm
TL0130C (LV26RFC)	6W	RF Remote Tunable White	D30*H400	15°/24°/36°/50°	2700~5700K	Ra90	420lm

## TL01 D40C 48V, 10W





## TL01 D40C 48V, 10W

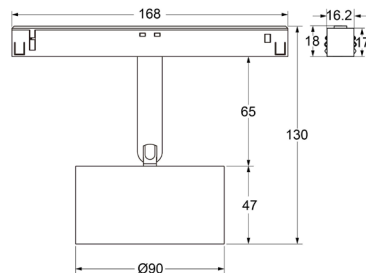


Model No.	Watt	Control	Dimension	Beam angle	Color temp.	CRI	Lumen
TL0140C (LV26DAB)	10W	DALI Brightness Dim	D40*H300	15°/24°/36°/50°	27/30/35/4000K	Ra90	780lm
TL0140C (LV26DAC)	10W	DALI Tunable White	D40*H300	15°/24°/36°/50°	2700-5700K	Ra90	700lm
TL0140C (LV26RFB)	10W	RF Remote Brightness Dim	D40*H300	15°/24°/36°/50°	27/30/35/4000K	Ra90	780lm
TL0140C (LV26RFC)	10W	RF Remote Tunable White	D40*H300	15°/24°/36°/50°	2700-5700K	Ra90	700lm

## TL01 D90A 48V, 20W



## TL01 D90A 48V, 20W

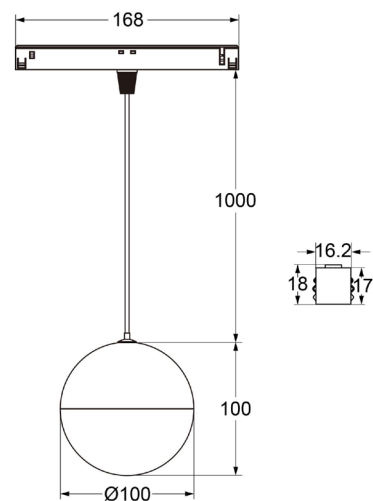


Model No.	Watt	Control	Dimension	Beam angle	Color temp.	CRI	Lumen
TL0190A (LV26T2DAB)	20W	DALI Brightness Dim	D90*H47	15°/20°/36°/60°	27/30/35/4000K	Ra90	1800lm
TL0190A (LV26T2DAC)	20W	DALI Tunable White	D90*H47	15°/20°/36°/60°	2700~5700K	Ra90	1600lm
TL0190A (LV26T2RFB)	20W	RF Remote Brightness Dim	D90*H47	15°/20°/36°/60°	27/30/35/4000K	Ra90	1800lm
TL0190A (LV26T2RFC)	20W	RF Remote Tunable White	D90*H47	15°/20°/36°/60°	2700~5700K	Ra90	1600lm

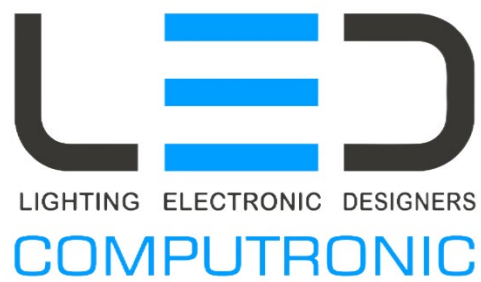
## TL01 D100A 48V, 6W



## TL01 D100A 48V, 6W



Model No.	Watt	Control	Dimension	Beam angle	Color temp.	CRI	Lumen
TL01100A (LV26DAB)	6W	DALI Brightness Dim	D100	150°	27/30/40/50/5700K	Ra90	500lm
TL01100A (LV26RFB)	6W	RF Remote Brightness Dim	D100	150°	27/30/40/50/5700K	Ra90	500lm



Teléfono: (+34) 936 682 146

Mail: [info@ledcomputronic.com](mailto:info@ledcomputronic.com)

Web: [www.ledcomputronic.com](http://www.ledcomputronic.com)

**COMPUTRONIC 5000, S. L.**

Polígono Industrial Riera del Molí, Calle Narcís Monturiol, Nº 1 - Nave 3

08750 MOLINS DE REI, Barcelona, España